

MS110 - Load Bank Diagrams

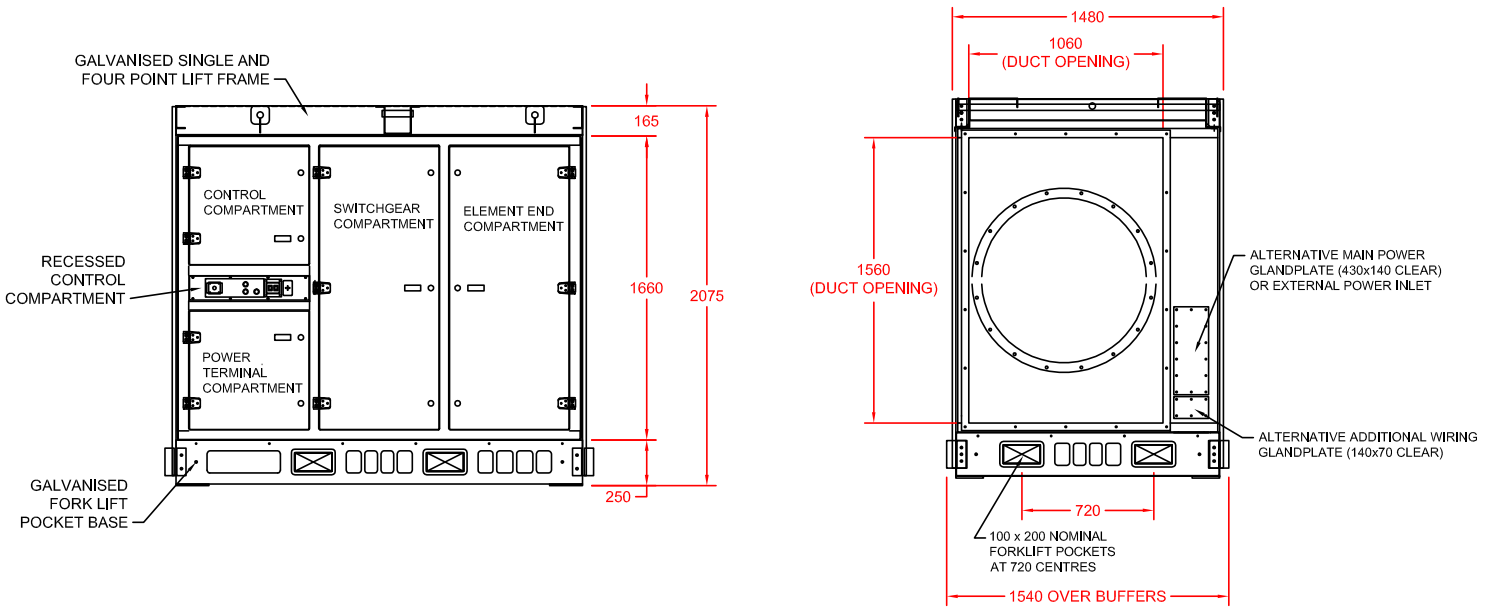


Figure A MS110 Front and Side View

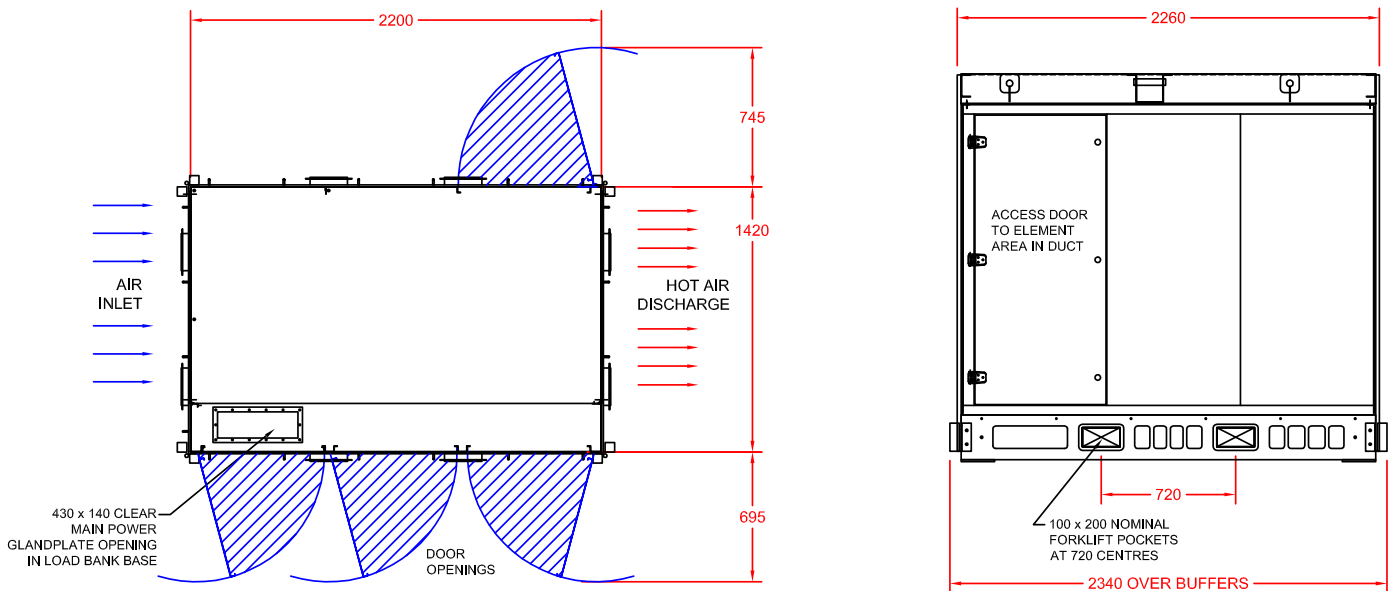


Figure B MS110 Plan View showing access door requirements and rear view