

MS160 - Load Bank Diagrams

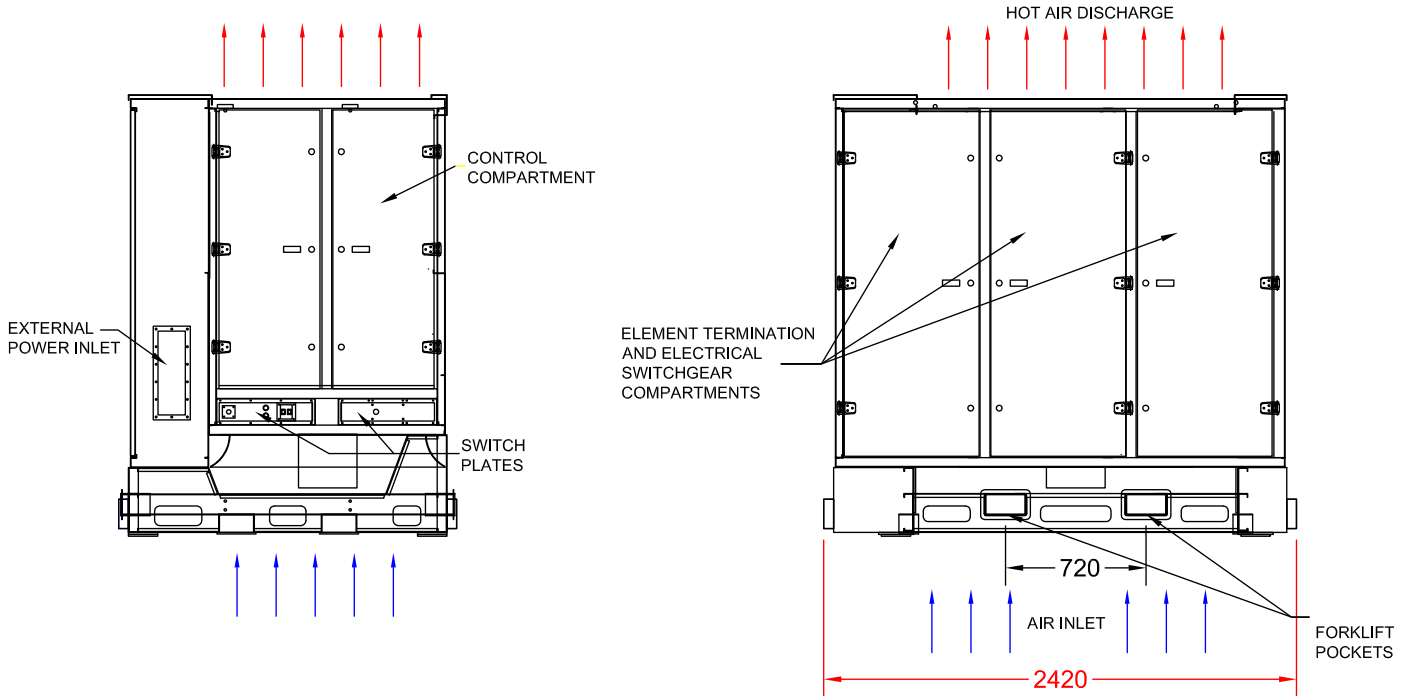


Figure A MS160 Front and Side Views

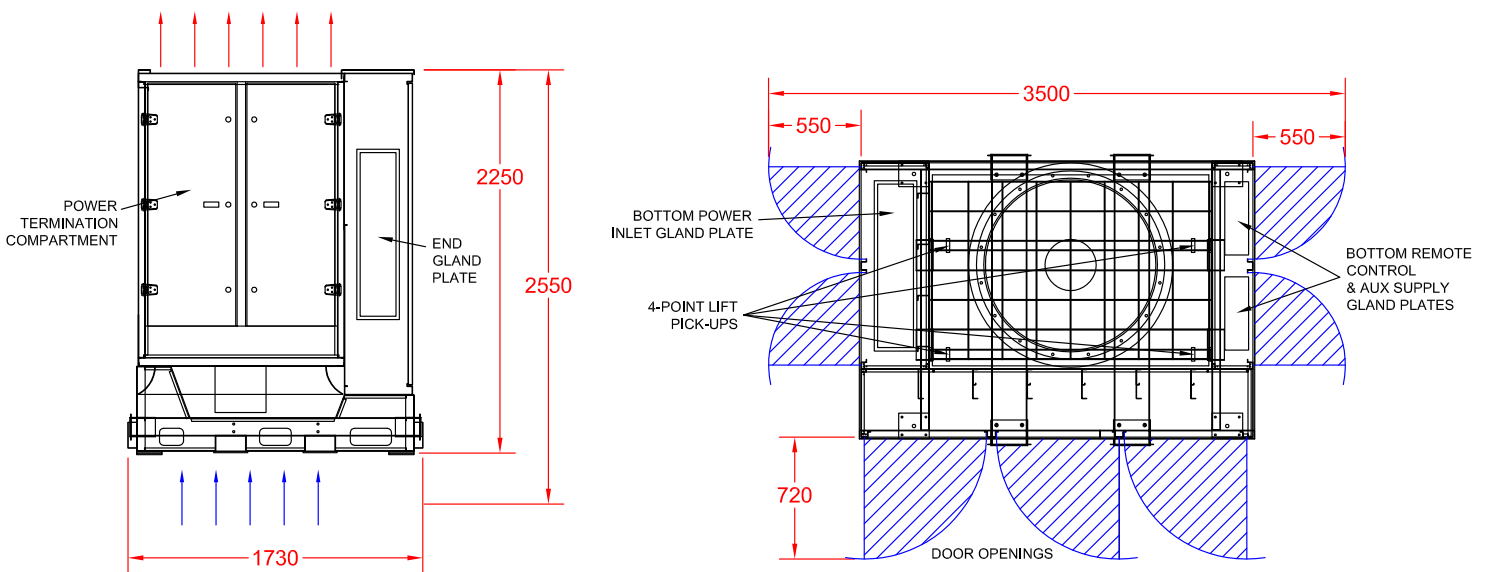


Figure B MS160 Side View and Plan View