

MS66 - Load Bank Diagrams

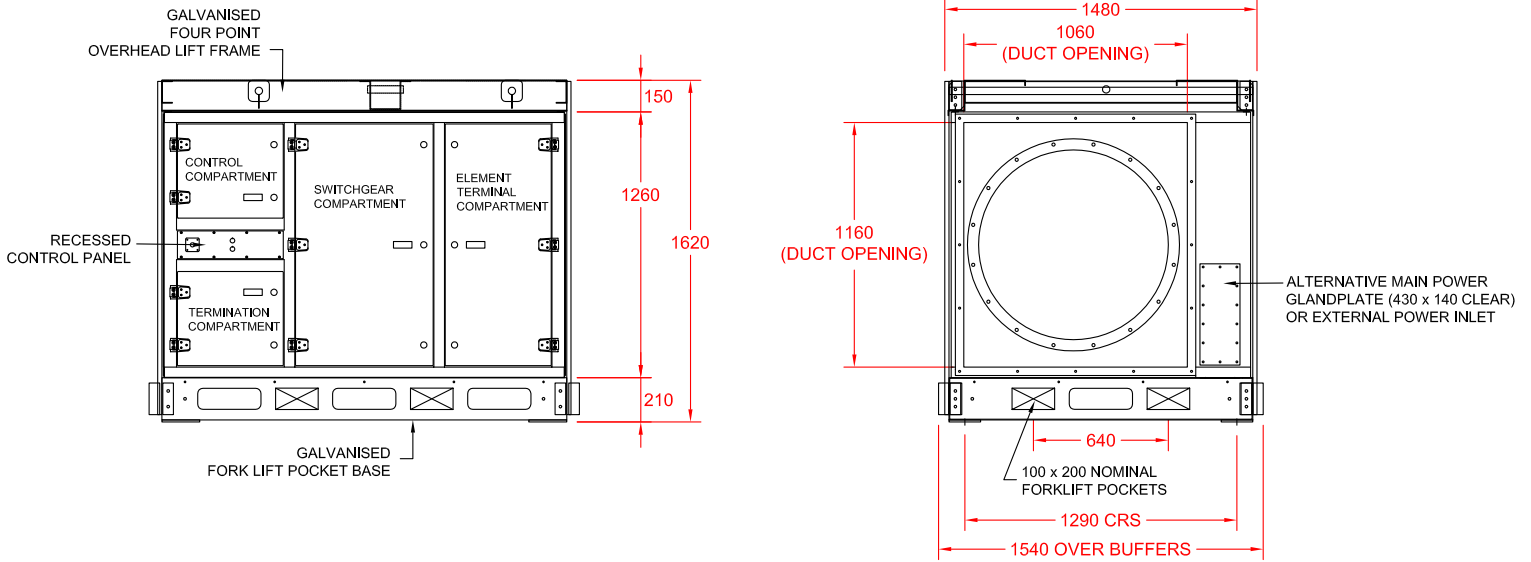


Figure A MS66 Front View and End view (showing duct opening)

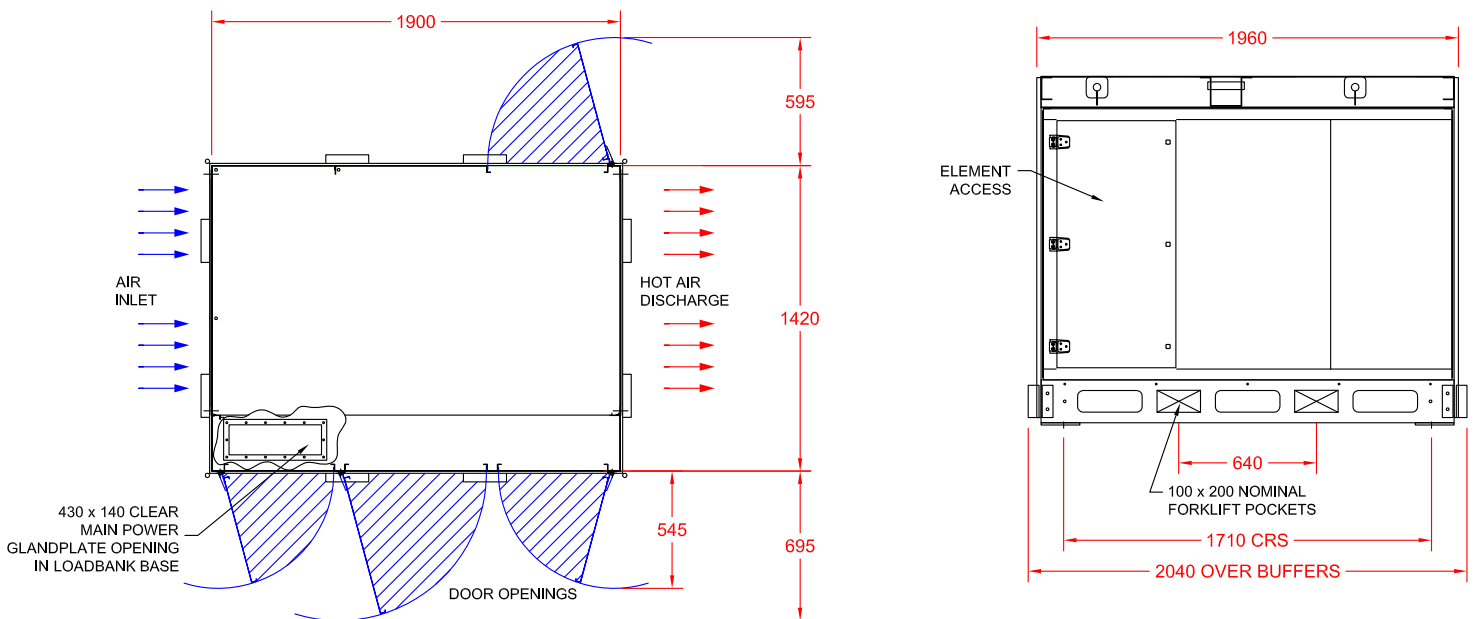


Figure B MS66 Plan View showing access door requirements and rear view